



LAIZHOU PINNO IMPORT AND EXPORT TRADE CO., LTD  
莱州品诺进出口贸易有限公司

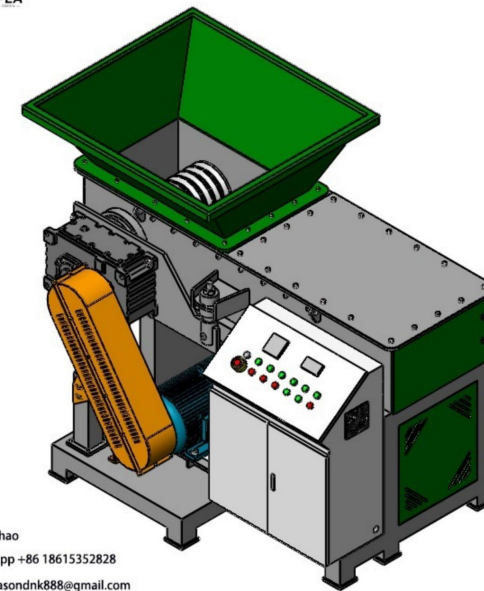


Tel/WhatsApp/WeChat +86 18615352828

Website: [www.newdnkpla.com](http://www.newdnkpla.com)

E-mail: [jason@pinno.com.cn](mailto:jason@pinno.com.cn)

Add: Yantai Industrial Park, Shandong Province



Jason Zhao  
WhatsApp +86 18615352828  
Email: [jasondnk888@gmail.com](mailto:jasondnk888@gmail.com)



# SHREDDER MACHINE

## Single Axis Shredder



Model	PN1-CH600	PN1-CH 800	PN1-CH 1000	PN1-CH 1200
Capacity	300-500kg/H	500-700kg/H	500-1000kg/H	500-1000kg/H
Main motor	Siemens Beide 22kw	Siemens Beide 37kw	Siemens Beide 45kw	Siemens Beide 75kw
Rated voltage	380V 50HZ	380V 50HZ	380V 50HZ	380V 50HZ
Gearbox	Dongli/Tongli	Dongli/Tongli	Dongli/Tongli	Dongli/Tongli
Hydraulic station power	3kw	4kw	4kw	5.5kw
Material of the moving knife holder	45 # steel	45 # steel	45 # steel	45 # steel
Quantity of fixed knives	Two fixed knives	Two fixed knives	Two fixed knives	Three fixed knives
Quantity of moving knives	30 pieces	48 pieces	60 pieces	72 pieces
Blade material	SKD11/D2	SKD11 / D2	SKD11 / D2	SKD11 / D2
Working pressure	18MPa	18MPa	18MPa	18MPa
Electrical part	Siemens PLC, Siemens contactor	Siemens PLC, Siemens contactor	Siemens PLC, Siemens contactor	Siemens PLC, Siemens contactor
Mesh aperture	50mm	50mm	50mm	50mm
Rotating diameter	280mm	380mm	380mm	380mm
Main shaft bearings	22224CA	22228CA	22230CA	22230CA
Spindle speed	83rpm	83rpm	83rpm	80rpm
Inlet size	800*600mm	1000*800	1400*1000	1400*1200mm
External dimensions	2250*1500*2200mm	3200*1700*2200mm	3200*1900*2200mm	3800*2200*2200mm
Weight	2050kg	3100kg	3800kg	5000kg



# SHREDDER MACHINE

## Single Double Axis Shredder



Model	PN1-KEDS 600	PN1-KEDS 800	PN1-KEDS 1000	PN1-KEDS 1200	PN1-KEDS 1500
Capacity	200-300kg/h (Film)	300-500kg/h (Film)	500-1000kg/h (Film)	1000-1500kg/h (Film)	1500-2000kg/h (Film)
Main motor	Siemens 30kw * 2 units	Siemens 37kw * 2 units	Siemens 55kw * 2 units	Siemens 75kw * 2 units	Siemens 90kw * 2 units
Rated voltage	380V 50HZ	380V 50HZ	380V 50HZ	380V 50HZ	380V 50HZ
Gearbox	Dongli No. 5 2 gearboxes	Dongli No. 6 2 gearboxes	Dongli No. 7 2 gearboxes	Dongli No. 7 2 gearboxes	Dongli No. 8 2 gearboxes
PLC	Siemens PLC control	Siemens PLC control	Siemens PLC control	Siemens PLC control	Siemens PLC control
Electrical part	Siemens brand	Siemens brand	Siemens brand	Siemens brand	Siemens brand
Spindle diameter (mm)	φ280	φ320	φ320	φ380	φ380
Spindle speed (rpm)	80	80	80	80	80
Spindle material	45#	45#	45#	45#	45#
Main shaft bearing model	Spherical Roller Bearings ( NSK ) 22224	Spherical Roller Bearings ( NSK ) 22226	Spherical Roller Bearings ( NSK ) 22228	Spherical Roller Bearings ( NSK ) 22230	Spherical Roller Bearings ( NSK ) 22232
Quantity of moving knives	30 pieces * 2	56 pieces * 2	68 pieces * 2	84 pieces * 2	104 pieces * 2
Moving Knife size	40*40*28	40*40*28	40*40*28	40*40*28	40*40*28
Material of the moving knife	D2	D2	D2	D2	D2
Quantity of fixed knives	8 pieces	8 pieces	12 pieces	12 pieces	16 pieces
Fixed blade material	SKD-11	SKD-11	SKD-11	SKD-11	SKD-11
Mesh aperture	50mm spacing bar mesh	50mm spacing bar mesh	50mm spacing bar mesh	50mm spacing bar mesh	50mm spacing bar mesh
Size of shredding room (mm)	600*800	800*900	1000*900	1200*1100	1500*1100
Dimensions (mm)	2800*1000*2200mm	3100*1100*2250mm	3660*1400*2350mm	4000*1400*2350mm	4500*1400*2350mm
Equipment weight (kg)	3000kg	4200kg	5500kg	6000kg	7000kg



# SHREDDER MACHINE

## Single Drive Double Shaft Shredder

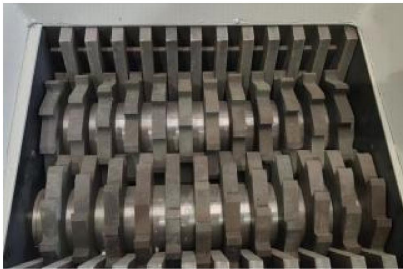
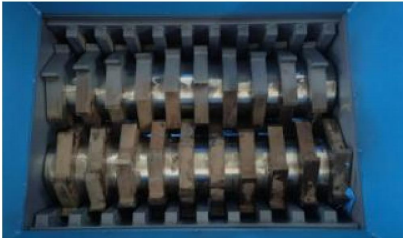


Model	PN1-R 200	PN1-R 300	PN1-R 400	PN1-R 500
Scope of application	Plastic bottles, plastic buckets, wooden boards, books, metal shavings, kitchen waste, etc.			
Capacity	80-150kg/h	120-180kg/h	200-300kg/h	300-400kg/h
Main motor	3kw	4kw	5.5kw	7.5kw
Rated voltage	380V 50HZ	380V 50HZ	380V 50HZ	380V 50HZ
Gearbox	Type k77 hard tooth surface	Type k77 hard tooth surface	Type k77 hard tooth surface	Type k77 hard tooth surface
Electrical brand	Chint	Chint	Chint	Chint
Spindle diameter (mm)	Φ70	Φ70	Φ70	Φ70
Spindle speed (rpm)	18	22	18	23
Spindle material	40Cr	40Cr	40Cr	40Cr
Main shaft bearing brand	Wafangdian	Wafangdian	Wafangdian	Wafangdian
Quantity of moving knives	18	28	25	32
Material of the moving knife	75cr1	75cr1	75cr1	75cr1
Blade thickness (mm)	9.85	9.85	15	15
Blade diameter (mm)	Φ150	Φ150	Φ150	Φ150
Number of moving teeth	11-14 teeth	11-14 teeth	11-14 teeth	11-14 teeth
Studio size (mm)	190*300	290*300	390*300	490*300
Equipment dimensions (mm)	920*510*1280	1020*510*1310	1140*550*1460	1240*550*1460
Equipment weight (kg)	260kg	320kg	430kg	500kg



# SHREDDER MACHINE

## Double Drive Double Shaft Shredder



Model	PN1-KES 600	PN1-KES 800	PN1-KES 1000	PN1-KES 1200	PN1-KES 1500
Capacity	500-700kg/H	700-1000kg/H	1000-1500kg/H	1500-2000kg/H	2000-3000kg/H
Main motor	22kw * 2 units	37kw * 2 units	45kw * 2 units	55kw * 2 units	90kw * 2 units
Rated voltage	380V 50HZ	380V 50HZ	380V 50HZ	380V 50HZ	380V 50HZ
Gearbox	Hard tooth surface zsy250 type * 2 units	Hard tooth surface zsy315 type * 2 units	Hard tooth surface zsy355 type * 2 units	Hard tooth surface zsy400 type * 2 units	Hard tooth surface zsy450 type * 2 units
Electrical brand	Chint	Chint	Chint	Chint	Chint
Spindle diameter (mm)	φ120	φ170	φ190	φ230	φ250
Spindle speed (rpm)	16rpm	13rpm	13rpm	13rpm	13rpm
Spindle material	40Cr	40Cr	40Cr	40Cr	40Cr
Main shaft bearing brand	Wafangdian	Wafangdian	Wafangdian	Wafangdian	Wafangdian
Quantity of moving knives	23 pieces	20 pieces	20 pieces	20 pieces	25 pieces
Material of the moving knife	55sicc alloy forging material	55sicc alloy forging material	55sicc alloy forging material	55sicc alloy forging material	55sicc alloy forging material
Blade thickness (mm)	25	40	50	60	60
Blade diameter (mm)	φ260	φ350	φ400	φ450	φ500
Number of moving teeth	8-10 teeth	8-10 teeth	8-10 teeth	8-10 teeth	8-10 teeth
Studio size (mm)	600*510	820*670	1020*760	1220*850	1520*940
Equipment dimensions (mm)	2600*1500*1700	3500*1800*2000	4000*2000*2200	4400*2200*2500	5000*2500*2800
Equipment weight (kg)	2300	4300	5500	6500	8500