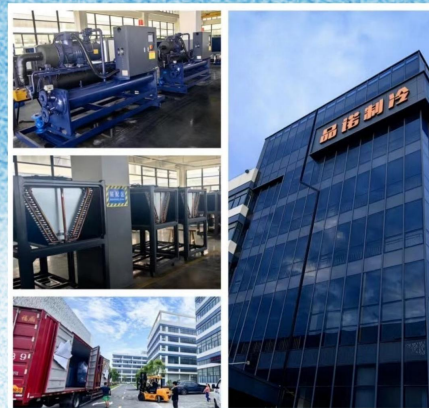




# PINNO

LAIZHOU PINNO IMPORT AND EXPORT TRADE CO., LTD  
莱州品诺进出口贸易有限公司



## 品诺PINNO

Tel/WhatsApp/WeChat +86 18615352828

Website: [www.newdnkpla.com](http://www.newdnkpla.com)

E-mail: [jason@pinno.com.cn](mailto:jason@pinno.com.cn)

Add: Yantai Industrial Park, Shandong Province

## New-tech Plastic Granulator Model 75

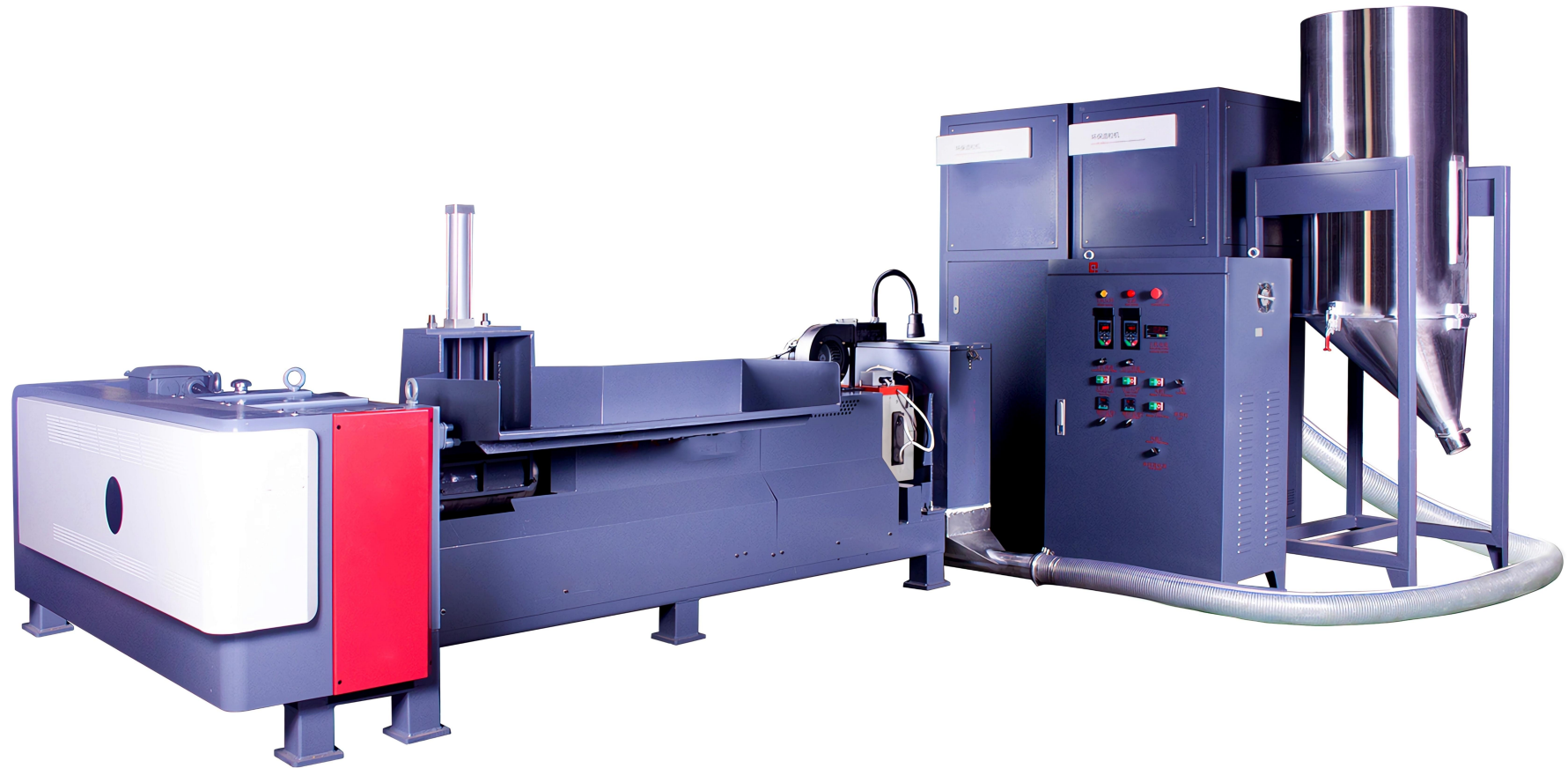


## New-tech Plastic Granulator Model 110





## New-tech Plastic Granulator Model 150





## New-tech Plastic Granulator

DNKPLA

New-tech Plastic Granulator Model 75



DNKPLA

New-tech Plastic Granulator Model 110



DNKPLA

New-tech Plastic Granulator Model 150



Model	HD-75	HD-110	HD-150
Output((kg/h)	30-60	80-130	150~230
Avg. Power Consumption(kwh/ton)	200-250	200-250	200~250
Total Power(kw)	13	45	65
Macine Size	3*1*2m 3m <sup>2</sup>	5x2.5x2.5m 10 m <sup>2</sup>	5x2.5x2.5m 10 m <sup>2</sup>
Machine Weight(kg)	620	2300	3900
Extruding Motor(kw)	11	37	55
Reducer	146	200	250
Screw Dia.(mm)	75	110	150
Inverter(kw)	11	37	55
Blower(kw)	0.75	0.75x1 1.5x3	0.75x2 1.5x3
Cutting motor		0.75	
Cooling Cabinet		2	2
Storage tank		1	1
Applicable materials	Suitable for all kinds of LDPE, HDPE, CPE, PVC, TPU, PLA, Biodegradable plastic		

适用于LDPE, HDPE, CPE, PVC, TPU, PLA可降解等塑料  
Suitable for all kinds of LDPE, HDPE, CPE, PVC, TPU, PLA, Biodegradable plastic, and etc.



适用于LDPE, HDPE, CPE, PVC, TPU, PLA可降解等塑料  
Suitable for all kinds of LDPE, HDPE, CPE, PVC, TPU, PLA, Biodegradable plastic, and etc.



适用于LDPE, HDPE, CPE, PVC, TPU, PLA可降解等塑料  
Suitable for all kinds of LDPE, HDPE, CPE, PVC, TPU, PLA, Biodegradable plastic, and etc.



适用于LDPE, HDPE, CPE, PVC, TPU, PLA可降解等塑料  
Suitable for all kinds of LDPE, HDPE, CPE, PVC, TPU, PLA, Biodegradable plastic, and etc.



### 环保造粒、无烟无味、风冷不过水

环保造粒设计，强劲风冷系统，无需过水冷却，全过程无烟无味，不产生污染

#### **Eco pelletizing    Smokeless and odorless    Air cooled**

Eco-friendly granulation design, strong air cooling system, no need for water cooling, smokeless and odorless, no pollution during recycling granulation process.

### 低温造粒、不改变物化性、产品无晶点

独特设计实现低温造粒，不改变膜料物化性能，产出粒子质量好，可与新料大比例混合使用，做出的膜无晶点

#### **Low-temp processing    Keeping properties    Reusable pellets**

Adopting low-temp pelletizing technology, no changing recycled material properties, output high-quality pellets, which can be mixed with the virgin pellets in a high ratio to produce qualified film again.



### 即开即停、易操作、现场回收占地小

即开即停处理产生的边角料和残次品，机器操作简单，占地小

#### **Boot on demand    Intuitive to use    Small area occupation**

Designed with easy-to-use in consideration, whenever you need it to do the recycling, or whenever you need to stop the machine, just a few buttons to click

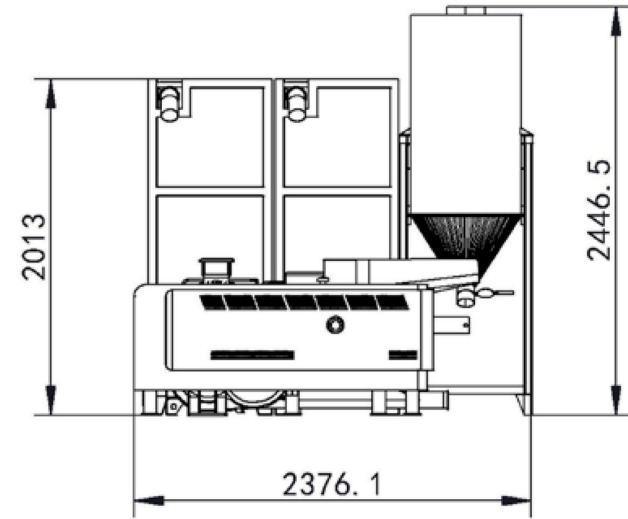
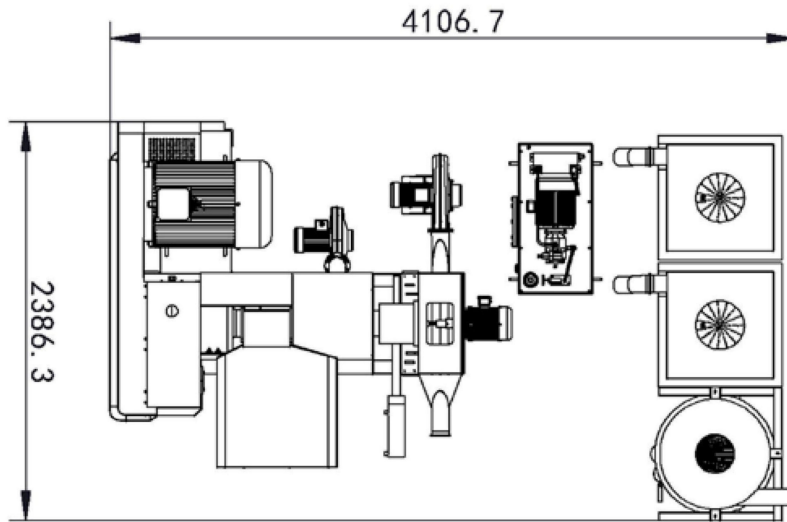
### 一次投入、降本增效、边料不堆积

一次性投入，回本快，解决边料废料堆积占地问题，降低原料成本，提升企业效益

#### **One-time investment    Reduce cost    No scraps wasted**

One-time machine investment, helping reducing the raw material cost, and increase profit, no more scraps and leftovers piled up waiting for being processed.

HD-110  
HD-150  
仅需10m<sup>2</sup>



HD-75  
仅需3m<sup>2</sup>

