



LAIZHOU PINNO IMPORT AND EXPORT TRADE CO., LTD
莱州品诺进出口贸易有限公司



品诺 PINNO



电柜 Electric cabinet 造粒机 Granulator 水槽 water tank 托板 Splint 吹条机 Blowing machine 切粒机 Pelletizer 风送储料桶 Pneumatic storage bucket

品诺 PINNO



电柜 Electric cabinet 上料机 charging machine 造粒机 Granulator 水槽 water tank 脱水机 Dehydrator 风送储料桶 Pneumatic storage bucket

品诺 PINNO



电柜 Electric cabinet 上料机 charging machine 造粒机 Granulator 水槽 water tank 托板 Splint 吹条机 Blowing machine 切粒机 Pelletizer 风送储料桶 Pneumatic storage bucket

品诺 PINNO

Tel/WhatsApp/WeChat +86 18615352828

Website: www.newdnkpla.com

E-mail: jason@pinno.com.cn

Add: Yantai Industrial Park, Shandong Province

Recycling production line



QS granulator(Single stage)

PN2-QS 125H



Model	PN2-QS 125H
Total power	88kw
Capacity(kg/h)	100-150Kg/H
Main motor	30kw-6
Feeder	Standard
Main screw	φ125*2700mm
Gear reducer	JZQ500
Die head	360 die head, 2.2kw-6
Screw material	45#
Pelletizer	9-blade Pelletizer 3kw
Water tank	3000*400*240mm
Hopper	950*680*450mm
Applicable materials	PP, PE, PT, ABS, PS and other hard materials

Recycling production line



QS granulator(Single stage)

PN2-QS 125S



Model	PN2-QS 125S
Total power	90kw
Capacity(kg/h)	100-150Kg/H
Main motor	30kw-4
Feeder	Forced feeder 2.2kw-4
Main screw	φ125*2700mm
Gear reducer	JZQ500
Die head	360 die head, 2.2kw-6
Screw material	45#
Pelletizer	9-blade Pelletizer 3kw
Water tank	3000*400*240mm
Hopper	950*680*450mm
Applicable materials	PP, PE and other film materials

Recycling production line



QS granulator(Single stage)

PN2-QS 150H



Model	PN2-QS 150H
Total power	140kw
Capacity(kg/h)	250-350Kg/H
Main motor	55kw-6
Feeder	Standard
Main screw	φ147*2800mm
Gear reducer	JZQ600
Die head	410 die head, 2.2kw-6
Screw material	45#
Pelletizer	180 hob cutter pelletizer 4kw
Water tank	3000*400*240mm
Hopper	950*680*450mm
Applicable materials	PP, PE, PT, ABS, PS and other hard materials

Recycling production line



QS granulator(Single stage)

PN2-QS 150S



Model	PN2-QS 150S
Total power	140kw
Capacity(kg/h)	150-200Kg/H
Main motor	55kw-4
Feeder	Forced feeder 2.2kw-4
Main screw	φ147*2800mm
Gear reducer	JZQ600
Die head	410 die head, 2.2kw-6
Screw material	45#
Pelletizer	180 hob cutter pelletizer 4kw
Water tank	3000*400*240mm
Hopper	950*680*450mm
Applicable materials	PP, PE and other film materials

Recycling production line



QS granulator(Double stage)

PN2-QS 125/125H



Model	PN2-QS 125/125H
Total power	103kw
Capacity(kg/h)	150-250Kg/H
Main motor	30kw-6
Feeder	Standard
Main screw	φ125*2400mm
Main gear reducer	JZQ500
Auxiliary motor	11kw-4
Auxiliary screw	φ125*1000mm
Auxiliary gear reducer	JZQ400
Auxiliary die head	360 die head, 2.2kw-6
Screw material	45#
Pelletizer	9-blade Pelletizer 3kw
Water tank	3000*400*240mm
Hopper	950*680*450mm
Applicable materials	PP, PE, PT, ABS, PS and other hard materials

Recycling production line



QS granulator(Double stage)

PN2-QS 125/125S



Model	PN2-125/125S
Total power	105kw
Capacity(kg/h)	150-250Kg/H
Main motor	30kw-6
Feeder	Forced feeder 2.2kw-4
Main screw	φ125*2200mm
Main gear reducer	JZQ500
Auxiliary motor	11kw-4
Auxiliary screw	φ125*1000mm
Auxiliary gear reducer	JZQ400
Auxiliary die head	360 die head, 2.2kw-6
Screw material	45#
Pelletizer	9-blade Pelletizer 3kw
Water tank	3000*400*240mm
Hopper	950*680*450mm
Applicable materials	PP, PE and other film materials

Recycling production line



QS granulator(Double stage)

PN2-QS 150/140H



Model	PN2-QS 150/140H
Total power	171kw
Capacity(kg/h)	250-350Kg/H
Main motor	55kw-4
Feeder	Standard
Main screw	φ147*2500mm
Main gear reducer	JZQ600
Auxiliary motor	22kw-4
Auxiliary screw	φ136*1200mm
Auxiliary gear reducer	JZQ400
Auxiliary die head	410 die head, 2.2kw-6
Screw material	45#
Pelletizer	180 hob cutter pelletizer 4kw
Water tank	3000*400*240mm
Hopper	950*680*450mm
Applicable materials	PP, PE, PT, ABS, PS and other hard materials

Recycling production line



QS granulator(Double stage)

PN2-QS 150/140S



Model	PN2-QS 150/140S
Total power	163kw
Capacity(kg/h)	200-300Kg/H
Main motor	45kw-4
Feeder	Forced feeder 2.2kw-4
Main screw	φ147*2500mm
Main gear reducer	JZQ600
Auxiliary motor	22kw-4
Auxiliary screw	φ136*1200mm
Auxiliary gear reducer	JZQ400
Auxiliary die head	410 die head, 2.2kw-6
Screw material	45#
Pelletizer	180 hob cutter pelletizer 4kw
Water tank	3000*400*240mm
Hopper	950*680*450mm
Applicable materials	PP, PE and other film materials

Recycling production line



TP granulator

PN2-TP125/125H



Model	PN2-TP125/125H
Total power	203kw
Capacity(kg/h)	280-300kg/H
Host information	
Main motor power	75kw
Feeder	Horizontal spiral feeder 2.2kw
Main screw length	φ125*3200mm
Main screw material	38crMOAL nitriding
Main gear reducer	ZLYJ-250 square hard tooth plate with low noise
RPM	1450 rpm
Number of heating zones	6 Zones
Heating coil power	7 kw each zone
Exhaust	Single exhaust
Filtering method	Hydraulic left and right mesh changing 300 * 300mm
Filter material	45 # steel straightening and high-frequency quenching treatment
Hydraulic station power	Independent 3kw

Recycling production line



TP granulator

Model	PN2-TP125/125H
Auxiliary information	
Auxiliary motor power	30kw
Auxiliary screw length	φ 120*1200mm
Auxiliary screw material	38crMOAL nitriding
Auxiliary gear reducer	ZLYJ-200 square hard tooth plate with low noise
RPM	1450 rpm
Number of heating zones	3 Zones
Heating coil power	4kw each zone
Filtering method	Hydraulic up and down screen replacement 240 * 240mm
Filter material	45 # steel straightening and high-frequency quenching treatment
Hydraulic station power	Independent 5.5kw
Number of discharge port	4.2mm diameter, 22 holes
Other information	
Conveyor belt	4500*350mm 0.4kw
Pelletizer	200 hob cutter pelletizer 4kw
Granulation method	Water strand
Blowing machine power	2.2kw
Feeding fan	2.2kw
Hopper capacity	2700 * 1300 * 1300mm,500kg

Recycling production line



TP granulator

PN2-TP125/125S



电柜 造粒机 水槽 托板 吹条机 切粒机 风送储料桶
Electric cabinet Granulator water tank Splint Blowing machine Pelletizer Pneumatic storage bucket

Model	PN2-TP125/125S
Total power	176kw
Capacity(kg/h)	220-250kg/H
Host information	
Main motor power	55kw
Feeder	Spiral feeder 2.2kw,Conical upward and downward pressure
Main screw length	φ 125*3200mm
Main screw material	38crMOAL nitriding
Main gear reducer	ZLYJ-250 square hard tooth plate with low noise
RPM	1450 rpm
Number of heating zones	6 Zones
Heating coil power	7 kw each zone
Exhaust	Single exhaust
Filtering method	Hydraulic left and right mesh changing 300 * 300mm
Filter material	45 # steel straightening and high-frequency quenching treatment
Hydraulic station power	Independent 3kw

Recycling production line



TP granulator

Model	PN2-TP125/125S
Auxiliary information	
Auxiliary motor power	22kw
Auxiliary screw length	φ 120*1200mm
Auxiliary screw material	38crMOAL nitriding
Auxiliary gear reducer	ZLYJ-200 square hard tooth plate with low noise
RPM	1450 rpm
Number of heating zones	3 Zones
Heating coil power	4kw each zone
Filtering method	Hydraulic up and down screen replacement 240 * 240mm
Filter material	45 # steel straightening and high-frequency quenching treatment
Hydraulic station power	Independent 5.5kw
Number of discharge port	4.2mm diameter, 22 holes
Other information	
Conveyor belt	NO
Pelletizer	200 hob cutter pelletizer 4kw
Granulation method	Water strand
Blowing machine power	2.2kw
Feeding fan	2.2kw
Hopper capacity	2700 * 1300 * 1300mm,500kg

Recycling production line



TP granulator

PN2-TP125/125H+



电柜 上料机 造粒机 水槽 脱水机 风送储料桶
Electric cabinet charging machine Granulator water tank Dehydrator Pneumatic storage bucket

Model	PN2-TP125/125H+
Total power	207kw
Capacity(kg/h)	280-300kg/H
Host information	
Main motor power	75kw
Feeder	Horizontal spiral feeder 2.2kw
Main screw length	φ125*3200mm
Main screw material	38crMOAL nitriding
Main gear reducer	ZLYJ-250 square hard tooth plate with low noise
RPM	1450 rpm
Number of heating zones	6 Zones
Heating coil power	7 kw each zone
Exhaust	Single exhaust
Filtering method	Hydraulic left and right mesh changing 300 * 300mm
Filter material	45 # steel straightening and high-frequency quenching treatment
Hydraulic station power	Independent 3kw

Recycling production line



TP granulator

Model	PN2-TP125/125H+
Auxiliary information	
Auxiliary motor power	30kw
Auxiliary screw length	φ 120*1200mm
Auxiliary screw material	38crMOAL nitriding
Auxiliary gear reducer	ZLYJ-200 square hard tooth plate with low noise
RPM	1450 rpm
Number of heating zones	3 Zones
Heating coil power	4kw each zone
Filtering method	Hydraulic up and down screen replacement 240 * 240mm
Filter material	45 # steel straightening and high-frequency quenching treatment
Hydraulic station power	Independent 5.5kw
Number of discharge port	80 holes with a diameter of 3.2mm
Other information	
Conveyor belt	4500*350mm 400w
Pelletizer	Water ring cutting 3kw,3 moving blades
Granulation method	Water ring cutting
Blowing machine power	5.5kw
Dehydrator	1.8kw
Feeding fan	2.2kw
Hopper capacity	2700 * 1300 * 1300mm,500kg

Recycling production line



TP granulator

PN2-TP125/125S+



电柜 造粒机 水槽 脱水机 风送储料桶
Electric cabinet granulator water tank dehydrator pneumatic storage bucket

Model	PN2-TP125/125S+
Total power	191kw
Capacity(kg/h)	200-250kg/H
Host information	
Main motor power	55kw
Feeder	Spiral feeder 2.2kw,Conical upward and downward pressure
Main screw length	φ 125*3200mm
Main screw material	38crMOAL nitriding
Main gear reducer	ZLYJ-250 square hard tooth plate with low noise
RPM	1450 rpm
Number of heating zones	6 Zones
Heating coil power	7 kw each zone
Exhaust	Single exhaust
Filtering method	Hydraulic left and right mesh changing 300 * 300mm
Filter material	45 # steel straightening and high-frequency quenching treatment
Hydraulic station power	Independent 3kw

Recycling production line



TP granulator

Model	PN2-TP125/125S+
Auxiliary information	
Auxiliary motor power	22kw
Auxiliary screw length	φ 120*1200mm
Auxiliary screw material	38crMOAL nitriding
Auxiliary gear reducer	ZLYJ-200 square hard tooth plate with low noise
RPM	1450 rpm
Number of heating zones	3 Zones
Heating coil power	4kw each zone
Filtering method	Hydraulic up and down screen replacement 240 * 240mm
Filter material	45 # steel straightening and high-frequency quenching treatment
Hydraulic station power	Independent 5.5kw
Number of discharge port	80 holes with a diameter of 3.2mm
Other information	
Conveyor belt	NO
Pelletizer	Water ring cutting 3kw,3 moving blades
Granulation method	Water ring cutting
Blowing machine power	5.5kw
Dehydrator	1.8kw
Feeding fan	2.2kw
Hopper capacity	2700 * 1300 * 1300mm,500kg

Recycling production line



TP granulator

PN2-TP150/150H



Model	PN2-TP150/150H
Total power	268kw
Capacity(kg/h)	450-500kg/H
Host information	
Main motor power	110kw
Feeder	Horizontal spiral feeder 2.2kw
Main screw length	φ150*4200mm
Main screw material	38crMOAL nitriding
Main gear reducer	ZLYJ-280 square hard tooth plate with low noise
RPM	1450 rpm
Number of heating zones	8 Zones
Heating coil power	7 kw each zone
Exhaust	Single exhaust
Filtering method	Hydraulic left and right mesh changing 300 * 300mm
Filter material	45 # steel straightening and high-frequency quenching treatment
Hydraulic station power	Independent 3kw

Recycling production line



TP granulator

Model	PN2-TP150/150H
Auxiliary information	
Auxiliary motor power	37kw
Auxiliary screw length	φ150*1500mm
Auxiliary screw material	38crMOAL nitriding
Auxiliary gear reducer	ZLYJ-200 square hard tooth plate with low noise
RPM	1450 rpm
Number of heating zones	4 Zones
Heating coil power	4kw each zone
Filtering method	Hydraulic up and down screen replacement 300 * 300mm
Filter material	45 # steel straightening and high-frequency quenching treatment
Hydraulic station power	Independent 5.5kw
Number of discharge port	4.2mm diameter, 22 holes
Other information	
Conveyor belt	4500*350mm 400w
Pelletizer	500 hob cutter pelletizer 5.5kw
Granulation method	Water strand
Blowing machine power	2.2kw
Feeding fan	2.2kw
Hopper capacity	2700 * 1300 * 1300mm,500kg

Recycling production line



TP granulator

PN2-TP150/150S



Model	PN2-TP150/150S
Total power	227kw
Capacity(kg/h)	280-330kg/H
Host information	
Main motor power	75kw
Feeder	Spiral feeder 2.2kw,Conical upward and downward pressure
Main screw length	φ150*4000mm
Main screw material	38crMOAL nitriding
Main gear reducer	ZLYJ-280 square hard tooth plate with low noise
RPM	1450 rpm
Number of heating zones	8 Zones
Heating coil power	7 kw each zone
Exhaust	Single exhaust
Filtering method	Hydraulic left and right mesh changing 300 * 300mm
Filter material	45 # steel straightening and high-frequency quenching treatment
Hydraulic station power	Independent 3kw

Recycling production line



TP granulator

Model	PN2-TP150/150S
Auxiliary information	
Auxiliary motor power	30kw
Auxiliary screw length	φ150*1500mm
Auxiliary screw material	38crMOAL nitriding
Auxiliary gear reducer	ZLYJ-200 square hard tooth plate with low noise
RPM	1450 rpm
Number of heating zones	4 Zones
Heating coil power	4kw each zone
Filtering method	Hydraulic up and down screen replacement 300*300mm
Filter material	45 # steel straightening and high-frequency quenching treatment
Hydraulic station power	Independent 5.5kw
Number of discharge port	4.2mm diameter holes, 22 pieces
Other information	
Conveyor belt	NO
Pelletizer	500 hob cutter pelletizer 5.5kw
Granulation method	Water strand
Blowing machine power	2.2kw
Feeding fan	2.2kw
Hopper capacity	2700 * 1300 * 1300mm,500kg

Recycling production line



TP granulator

PN2-TP150/150S+



Model	PN2-TP150/150S+
Total power	254kw
Capacity(kg/h)	280-330kg/H
Host information	
Main motor power	90kw
Feeder	Spiral feeder 2.2kw,Conical upward and downward pressure
Main screw length	φ150*4000mm
Main screw material	38crMOAL nitriding
Main gear reducer	ZLYJ-280 square hard tooth plate with low noise
RPM	1450 rpm
Number of heating zones	8 Zones
Heating coil power	8 kw each zone
Exhaust	Single exhaust
Filtering method	Hydraulic left and right mesh changing 300 * 300mm
Filter material	45 # steel straightening and high-frequency quenching treatment
Hydraulic station power	Independent 3kw

Recycling production line



TP granulator

Model	PN2-TP150/150S+
Auxiliary information	
Auxiliary motor power	37kw
Auxiliary screw length	φ150*1500mm
Auxiliary screw material	38crMOAL nitriding
Auxiliary gear reducer	ZLYJ-200 square hard tooth plate with low noise
RPM	1450 rpm
Number of heating zones	4 Zones
Heating coil power	4kw each zone
Filtering method	Hydraulic up and down screen replacement 300*300mm
Filter material	45 # steel straightening and high-frequency quenching treatment
Hydraulic station power	Independent 5.5kw
Number of discharge port	80 holes with a diameter of 3.2
Other information	
Conveyor belt	NO
Pelletizer	Water ring cutting 3kw,3 moving blades
Granulation method	Water ring cutting
Blowing machine power	5.5kw
Dehydrator	1.8kw
Feeding fan	2.2kw
Hopper capacity	2700 * 1300 * 1300mm,500kg

Recycling production line



TP granulator

PN2-TP125/125SK+



电柜 上料机 造粒机 水槽 脱水机 风送储料桶
Electric cabinet charging machine Granulator water tank Dehydrator Pneumatic storage bucket

Model	PN2-TP125/125SK+
Total power	223kw
Capacity(kg/h)	220-250kg/H
Host information	
Main motor power	45kw
Feeder	55kw,Compaction bin,Moving knife, 4 pieces, fixed knife, 14 pieces
Main screw length	φ125*3200mm
Main screw material	38crMOAL nitriding
Main gear reducer	ZLYJ-250 square hard tooth plate with low noise
RPM	1450 rpm
Number of heating zones	6 Zones
Heating coil power	7 kw each zone
Exhaust	Single exhaust
Filtering method	Hydraulic left and right mesh changing 300 * 300mm
Filter material	45 # steel straightening and high-frequency quenching treatment
Hydraulic station power	Independent 3kw

Recycling production line



TP granulator

Model	PN2-TP125/125SK+
Auxiliary information	
Auxiliary motor power	22kw
Auxiliary screw length	120*1200mm
Auxiliary screw material	38crMOAL nitriding
Auxiliary gear reducer	ZLYJ-200 square hard tooth plate with low noise
RPM	1450 rpm
Number of heating zones	3 Zones
Heating coil power	4kw each zone
Filtering method	Hydraulic up and down screen replacement 240*240mm
Filter material	45 # steel straightening and high-frequency quenching treatment
Hydraulic station power	Independent 5.5kw
Number of discharge port	80 holes with a diameter of 3.2
Other information	
Conveyor belt	5000*550mm,1.5kw
Pelletizer	Water ring cutting 4kw,3 moving blades
Granulation method	Compaction+Water ring cutting
Blowing machine power	5.5kw
Dehydrator	1.8kw
Feeding fan	2.2kw
Hopper capacity	2700 * 1300 * 1300mm,500kg

Recycling production line



TP granulator

PN2-TP150/150SK+



电柜 上料机 造粒机 水槽 脱水机 风送储料桶
Electric cabinet charging machine Granulator water tank Dehydrator Pneumatic storage bucket

Model	PN2-TP150/150SK+
Total power	326kw
Capacity(kg/h)	400-450kg/H
Host information	
Main motor power	90kw
Feeder	75kw,Compaction bin,Moving knife, 4 pieces, fixed knife, 14 pieces
Main screw length	φ150*4000mm
Main screw material	38crMOAL nitriding
Main gear reducer	ZLYJ-280 square hard tooth plate with low noise
RPM	1450 rpm
Number of heating zones	8 Zones
Heating coil power	7 kw each zone
Exhaust	Single exhaust
Filtering method	Hydraulic left and right mesh changing 300 * 300mm
Filter material	45 # steel straightening and high-frequency quenching treatment
Hydraulic station power	Independent 3kw

Recycling production line



TP granulator

Model	PN2-TP150/150SK+
Auxiliary information	
Auxiliary motor power	37kw
Auxiliary screw length	φ150*1500mm
Auxiliary screw material	38crMOAL nitriding
Auxiliary gear reducer	ZLYJ-200 square hard tooth plate with low noise
RPM	1450 rpm
Number of heating zones	4 Zones
Heating coil power	4kw each zone
Filtering method	Hydraulic up and down screen replacement 300*300mm
Filter material	45 # steel straightening and high-frequency quenching treatment
Hydraulic station power	Independent 5.5kw
Number of discharge port	80 holes with a diameter of 3.2
Other information	
Conveyor belt	5000*550mm,1.5kw
Pelletizer	Water ring cutting 3kw,3 moving blades
Granulation method	Compaction+Water ring cutting
Blowing machine power	7.5kw
Dehydrator	1.8kw
Feeding fan	2.2kw
Hopper capacity	2700 * 1300 * 1300mm,500kg

Recycling production line



HD granulator

PN2-AB 100



Model	PN2-AB 100
Output (kg/h)	30~60
Avg. Power Consumption (kwh/ton)	200~250
Total Power (kw)	13
Machine Size (m/m ²)	3x1x2m 3 m ²
Machine Weight(kg)	620
Extruding Motor (kw)	11
Reducer	146
Screw Dia. (mm)	75
Cutting Motor(kw)	0.75
Blower(kw)	0.75
Cooling Cabinet	
Storage tank	

Recycling production line



HD granulator

PN2-AB 200



Model	PN2-AB 200
Output (kg/h)	80~130
Avg. Power Consumption (kwh/ton)	200~250
Total Power (kw)	45
Machine Size (m/m ²)	5x2.5x2.5m 10 m ²
Machine Weight(kg)	2300
Extruding Motor (kw)	37
Reducer	200
Screw Dia. (mm)	110
Cutting Motor(kw)	0.75
Blower(kw)	0.75x1 1.5x3
Cooling Cabinet	2
Storage tank	1

Recycling production line



HD granulator

PN2-AB 300



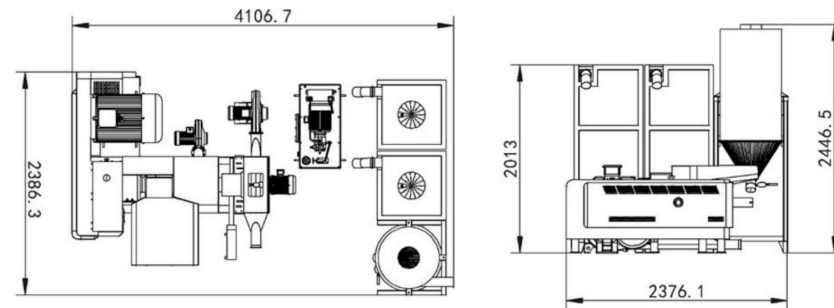
Model	PN2-AB 300
Output (kg/h)	150~230
Avg. Power Consumption (kwh/ton)	200~250
Total Power (kw)	65
Machine Size(m/m ²)	5x2.5x2.5m 10 m ²
Machine Weight(kg)	3900
Extruding Motor(kw)	55
Reducer	250
Screw Dia. (mm)	150
Cutting Motor(kw)	0.75
Blower(kw)	0.75x2 1.5x3
Cooling Cabinet	2
Storage tank	1

Recycling production line

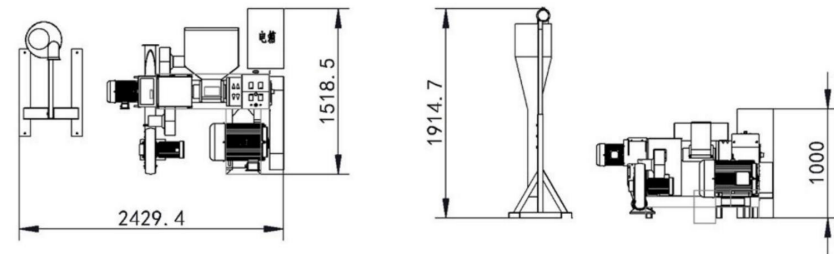


HD granulator

Machine Size Layout



PN2-AB 200/300



PN2-AB 100